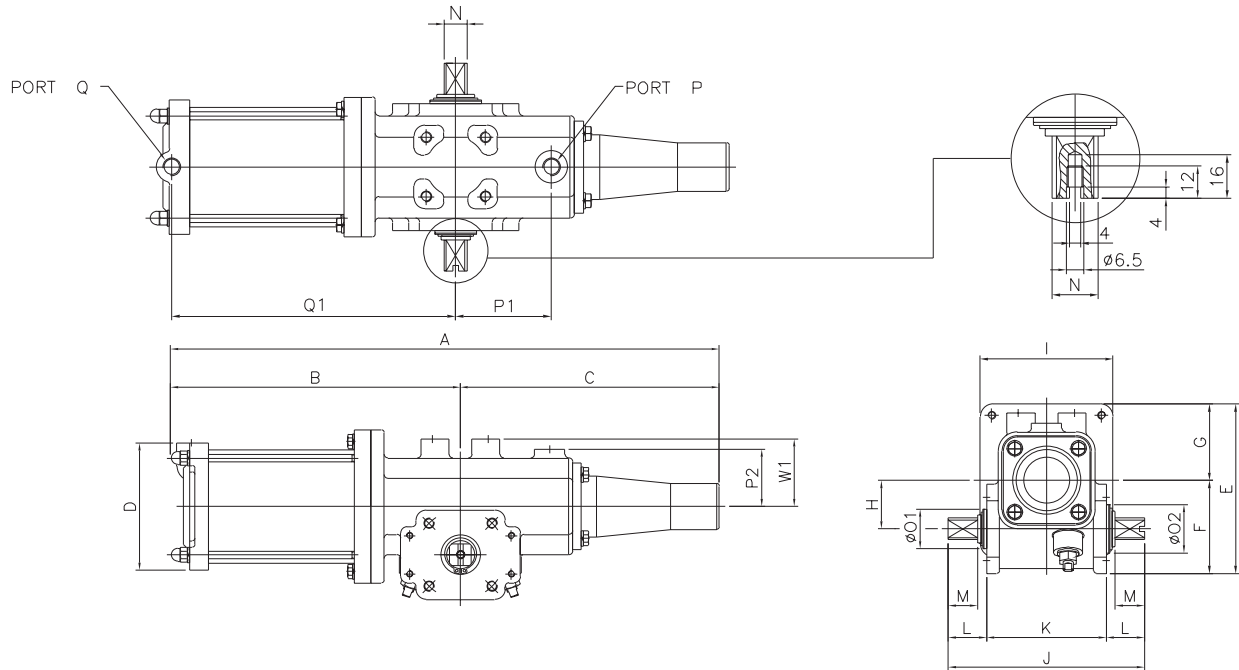


Dimensions

EPA-Series Double Acting Actuators

(Unit : mm)

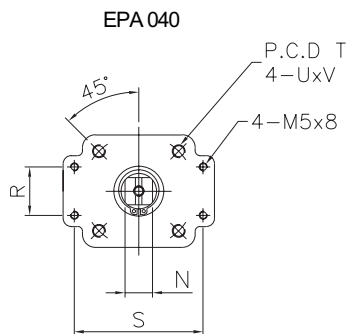
EPA XXX-XXX-DA



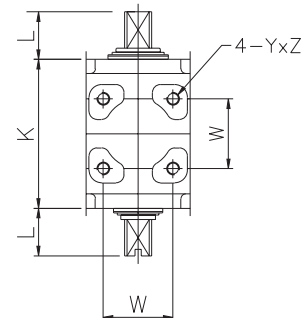
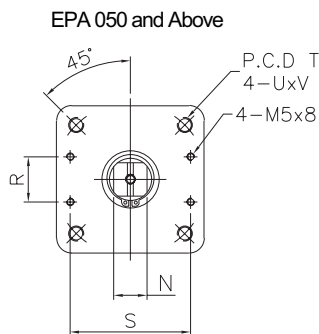
Actuators Model	A	B	C	D	E	F	G	H	I	J	K	L	M	$\square N$	$\phi 01$	$\phi 02$
EPA 040-080-DA	430	227	203	100	133	73	60	38	104	154	94	30	23	17	31	38
EPA 050-105-DA	542	288	254	133	181	97	84	48	150	178	118	30	23	22	38	47
EPA 050-130-DA	542	288	254	150	181	97	84	48	150	178	118	30	23	22	38	47
EPA 060-130-DA	659	353	306	156	229	119	110	60	204	208	148	30	23	27	47	58
EPA 060-180-DA	659	353	306	204	229	119	110	60	204	208	148	30	23	27	47	58
EPA 080-205-DA	819	443	376	235	290	145	145	75	284	288	188	50	39	36	62	70
EPA 080-255-DA	819	443	376	286	290	145	145	75	284	288	188	50	39	36	62	70

Actuators Model	PORT "P"	P1	P2	PORT "Q"	Q1	R	S	T	U	V	W	W1	Y	Z
EPA 040-080-DA	1/4" NPT	71	45	1/4" NPT	211	30	80	70	M8	12	44	53	M8	12
EPA 050-105-DA	3/8" NPT	85	59	1/4" NPT	268	30	80	102	M10	14	50	68	M8	12
EPA 050-130-DA	3/8" NPT	85	59	1/4" NPT	268	30	80	102	M10	14	50	68	M8	12
EPA 060-130-DA	3/8" NPT	105	70	3/8" NPT	327	30	80	125	M12	18	50	84	M8	12
EPA 060-180-DA	3/8" NPT	105	70	3/8" NPT	327	30	80	125	M12	18	50	84	M8	12
EPA 080-205-DA	1/2" NPT	125	88	1/2" NPT	410	30	130	140	M16	24	90	99	M10	15
EPA 080-255-DA	1/2" NPT	125	88	1/2" NPT	410	30	130	140	M16	24	90	99	M10	15

Valve / Accessory Mounting Details



Valve Mounting View

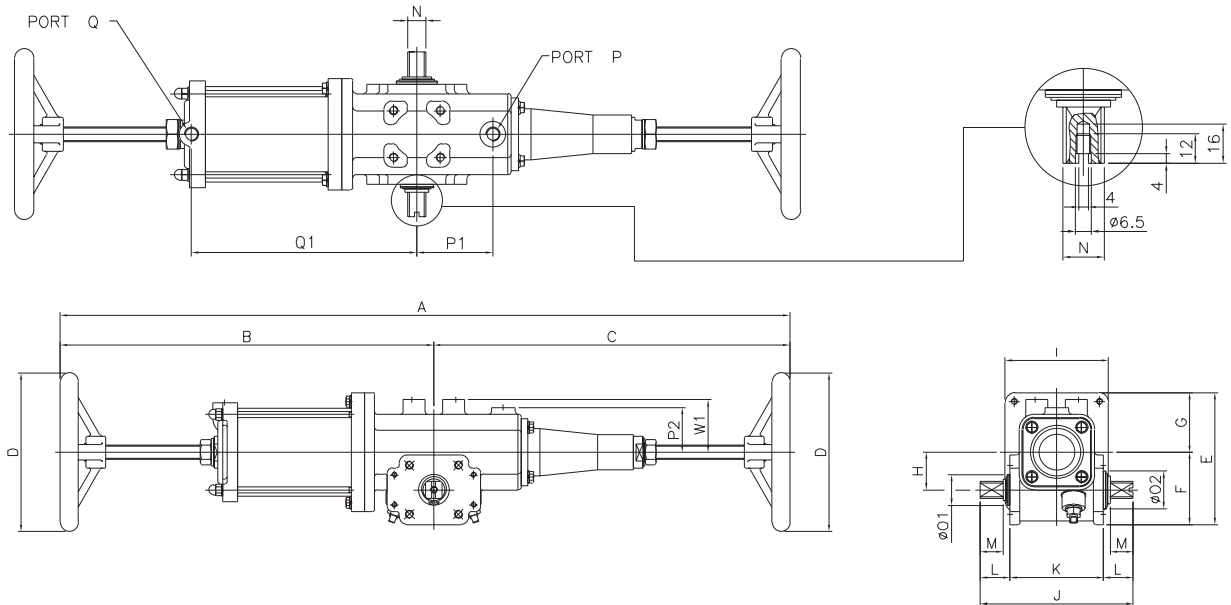


Accessory Mounting Pad

Dimensions

EPA-Series Double Acting Actuators
with Manual Override
(Unit : mm)

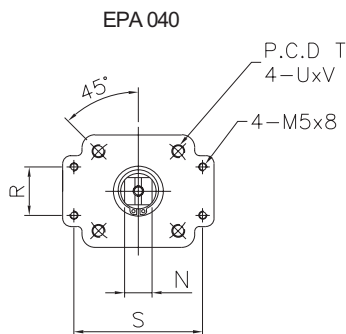
EPA xxx-xxx-DA-JO



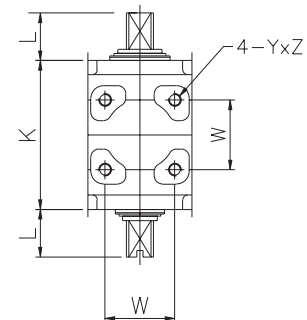
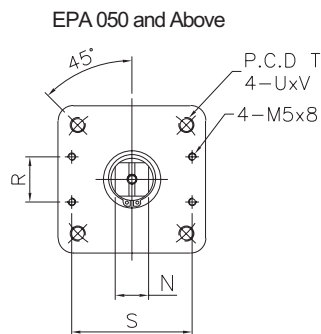
Actuators Model	A	B	C	D	E	F	G	H	I	J	K	L	M	□N	ø01	ø02
EPA 040-080-DA	736	377	359	160	133	73	60	38	104	154	94	30	23	17	31	38
EPA 050-105-DA	929	476	453	200	181	97	84	48	150	178	118	30	23	22	38	47
EPA 050-130-DA	929	476	453	200	181	97	84	48	150	178	118	30	23	22	38	47
EPA 060-130-DA	1100	566	534	250	229	119	110	60	204	208	148	30	23	27	47	58
EPA 060-180-DA	1100	566	534	250	229	119	110	60	204	208	148	30	23	27	47	58
EPA 080-205-DA	1401	723	678	450	290	145	145	75	284	288	188	50	39	36	62	70
EPA 080-255-DA	1401	723	678	450	290	145	145	75	284	288	188	50	39	36	62	70

Actuators Model	PORT "P"	P1	P2	PORT "Q"	Q1	R	S	T	U	V	W	W1	Y	Z
EPA 040-080-DA	1/4" NPT	71	45	1/4" NPT	211	30	80	70	M8	12	44	53	M8	12
EPA 050-105-DA	3/8" NPT	85	59	1/4" NPT	268	30	80	102	M10	14	50	68	M8	12
EPA 050-130-DA	3/8" NPT	85	59	1/4" NPT	268	30	80	102	M10	14	50	68	M8	12
EPA 060-130-DA	3/8" NPT	105	70	3/8" NPT	327	30	80	125	M12	18	50	84	M8	12
EPA 060-180-DA	3/8" NPT	105	70	3/8" NPT	327	30	80	125	M12	18	50	84	M8	12
EPA 080-205-DA	1/2" NPT	125	88	1/2" NPT	410	30	130	140	M16	24	90	99	M10	15
EPA 080-255-DA	1/2" NPT	125	88	1/2" NPT	410	30	130	140	M16	24	90	99	M10	15

Valve / Accessory Mounting Details



Valve Mounting View



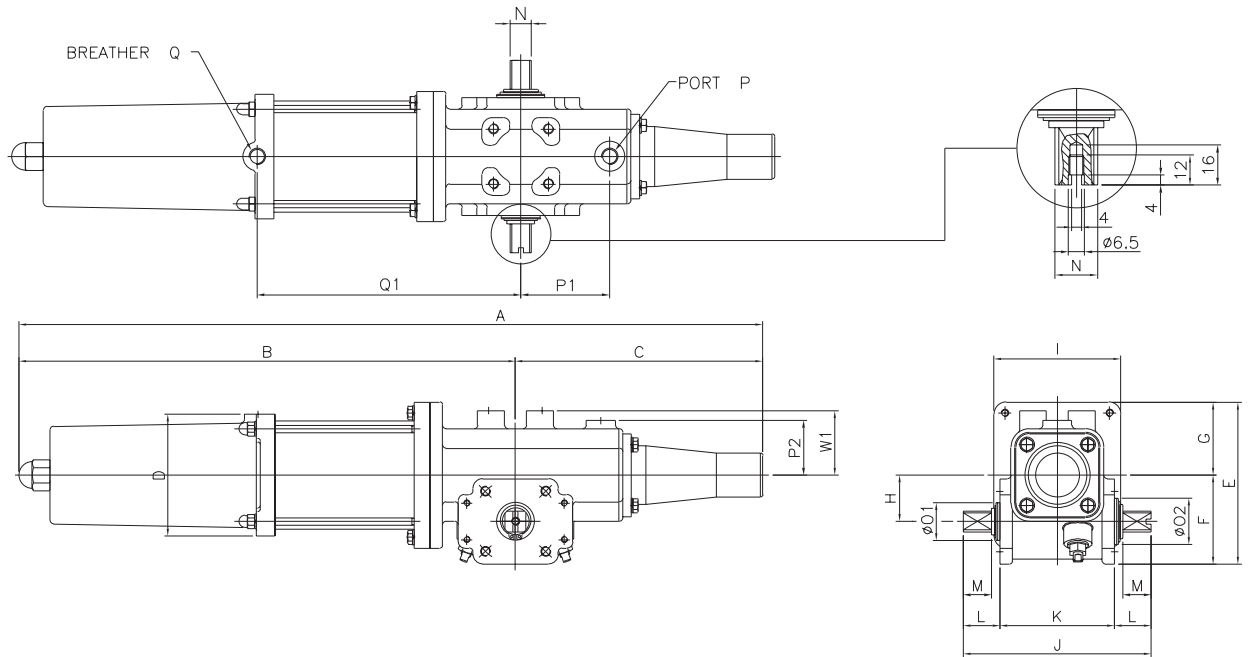
Accessory Mounting Pad

Dimensions

EPA-Series Spring Return Actuators

(Unit : mm)

EPA XXX-XXX-SR

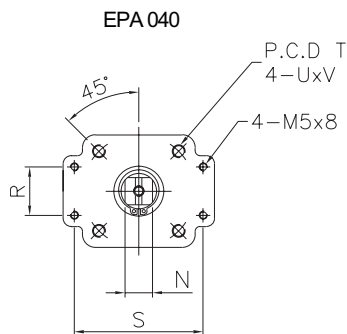


Dimensions

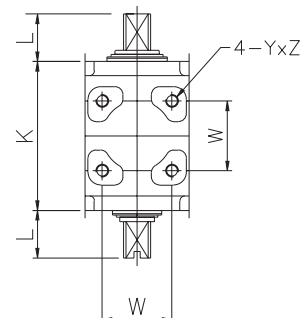
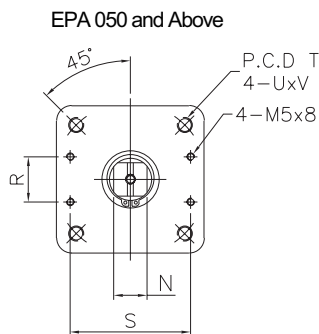
Actuators Model	A	B	C	D	E	F	G	H	I	J	K	L	M	□N	∅01	∅02
EPA 040-080-SR	610.5	407.5	203	100	133	73	60	38	104	154	94	30	23	17	31	38
EPA 050-105-SR	763.5	509.5	254	133	181	97	84	48	150	178	118	30	23	22	38	47
EPA 050-130-SR	763.5	509.5	254	150	181	97	84	48	150	178	118	30	23	22	38	47
EPA 060-130-SR	926	620	306	156	229	119	110	60	204	208	148	30	23	27	47	58
EPA 060-180-SR	926	620	306	204	229	119	110	60	204	208	148	30	23	27	47	58
EPA 080-205-SR	1152	776	376	235	290	145	145	75	284	288	188	50	39	36	62	70
EPA 080-255-SR	1152	776	376	286	290	145	145	75	284	288	188	50	39	36	62	70

Actuators Model	PORT "P"	P1	P2	PORT "Q"	Q1	R	S	T	U	V	W	W1	Y	Z
EPA 040-080-SR	1/4" NPT	71	45	1/4" NPT	211	30	80	70	M8	12	44	53	M8	12
EPA 050-105-SR	3/8" NPT	85	59	1/4" NPT	268	30	80	102	M10	14	50	68	M8	12
EPA 050-130-SR	3/8" NPT	85	59	1/4" NPT	268	30	80	102	M10	14	50	68	M8	12
EPA 060-130-SR	3/8" NPT	105	70	1/4" NPT	327	30	80	125	M12	18	50	84	M8	12
EPA 060-180-SR	3/8" NPT	105	70	1/4" NPT	327	30	80	125	M12	18	50	84	M8	12
EPA 080-205-SR	1/2" NPT	125	88	3/8" NPT	410	30	130	140	M16	24	90	99	M10	15
EPA 080-255-SR	1/2" NPT	125	88	3/8" NPT	410	30	130	140	M16	24	90	99	M10	15

Valve / Accessory Mounting Details



Valve Mounting View

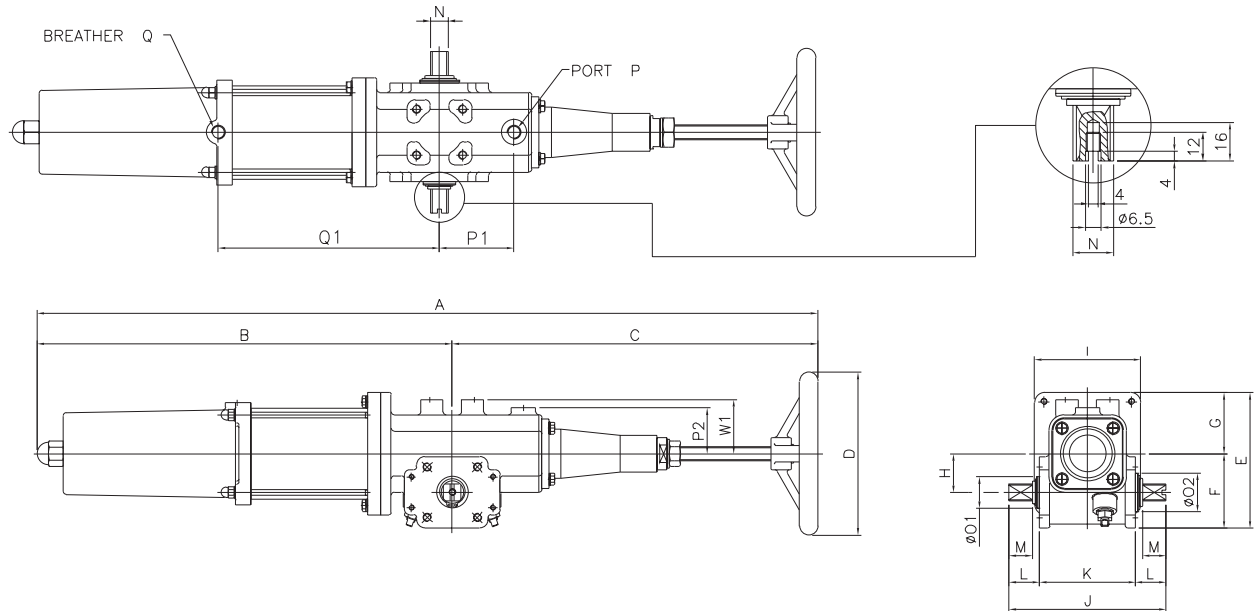


Accessory Mounting Pad

Dimensions

EPA-Series Spring Return Actuators
with Manual Override
(Unit : mm)

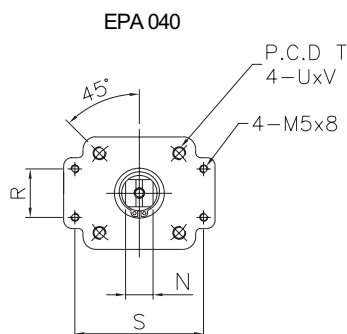
EPA XXX-XXX-SR-JO



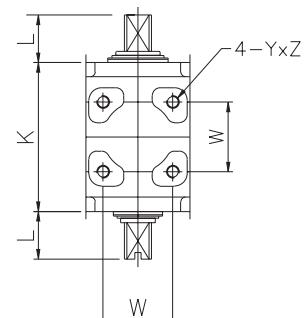
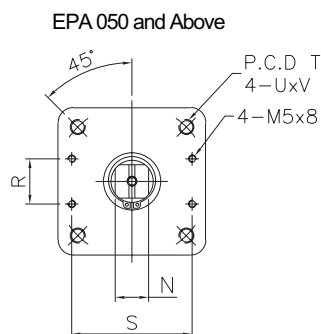
Actuators Model	A	B	C	D	E	F	G	H	I	J	K	L	M	□N	∅01	∅02
EPA 040-080-SR	766.5	407.5	359	160	133	73	60	38	104	154	94	30	23	17	31	38
EPA 050-105-SR	962.5	509.5	453	200	181	97	84	48	150	178	118	30	23	22	38	47
EPA 050-130-SR	962.5	509.5	453	200	181	97	84	48	150	178	118	30	23	22	38	47
EPA 060-130-SR	1154	620	534	250	229	119	110	60	204	208	148	30	23	27	47	58
EPA 060-180-SR	1154	620	534	250	229	119	110	60	204	208	148	30	23	27	47	58
EPA 080-205-SR	1454	776	678	450	290	145	145	75	284	288	188	50	39	36	62	70
EPA 080-255-SR	1454	776	678	450	290	145	145	75	284	288	188	50	39	36	62	70

Actuators Model	PORT "P"	P1	P2	BREATHER "Q"	Q1	R	S	T	U	V	W	W1	Y	Z
EPA 040-080-SR	1/4" NPT	71	45	1/4" NPT	211	30	80	70	M8	12	44	53	M8	12
EPA 050-105-SR	3/8" NPT	85	59	1/4" NPT	268	30	80	102	M10	14	50	68	M8	12
EPA 050-130-SR	3/8" NPT	85	59	1/4" NPT	268	30	80	102	M10	14	50	68	M8	12
EPA 060-130-SR	3/8" NPT	105	70	1/4" NPT	327	30	80	125	M12	18	50	84	M8	12
EPA 060-180-SR	3/8" NPT	105	70	1/4" NPT	327	30	80	125	M12	18	50	84	M8	12
EPA 080-205-SR	1/2" NPT	125	88	3/8" NPT	410	30	130	140	M16	24	90	99	M10	15
EPA 080-255-SR	1/2" NPT	125	88	3/8" NPT	410	30	130	140	M16	24	90	99	M10	15

Valve / Accessory Mounting Details



Valve Mounting View



Accessory Mounting Pad